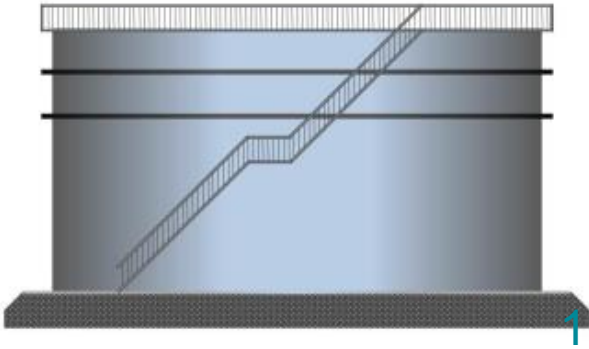
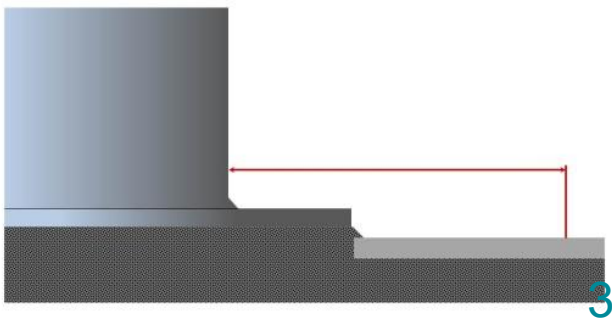


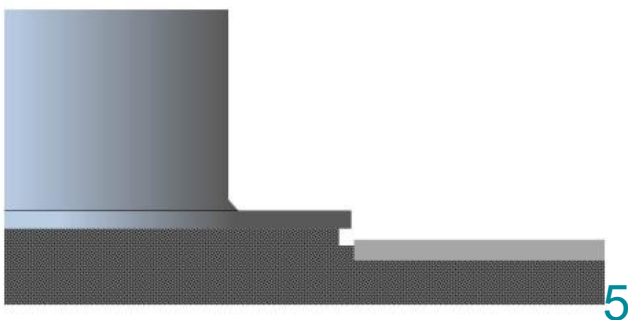
[TANK CHIME AREA]

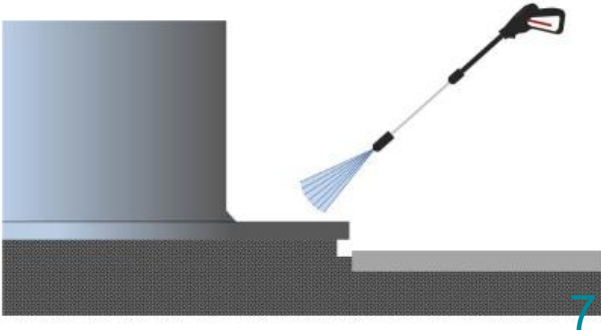


Chime area of a tank which has to be coated with Chime Area Coating System.

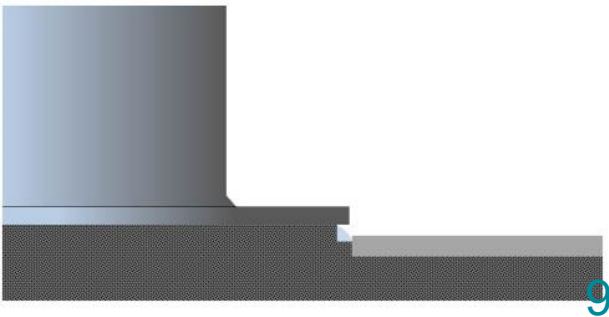


Ensure a proper surface preparation of steel and concrete prior to the application of the Stopaq materials. The concrete must be dry, free from any loose contaminations and/or dust.

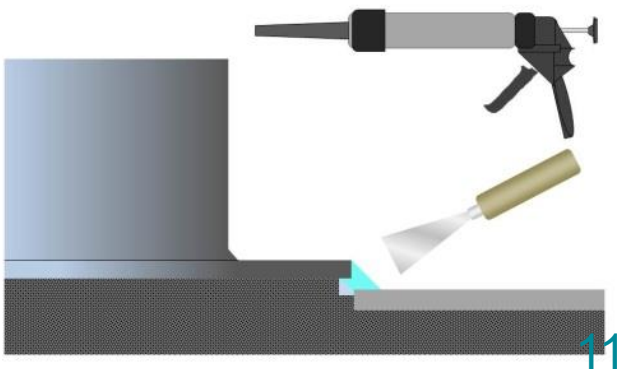




The entire area has to be cleaned prior to application. High pressure water jetting is recommended.

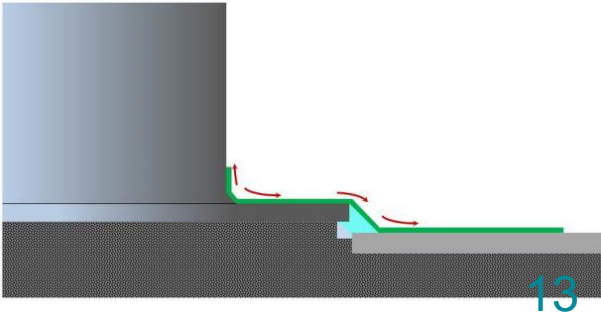


Area has to be completely dry prior to application. Apply a foam backing filler into the chime area void to avoid excess material use of 4200 Filler.

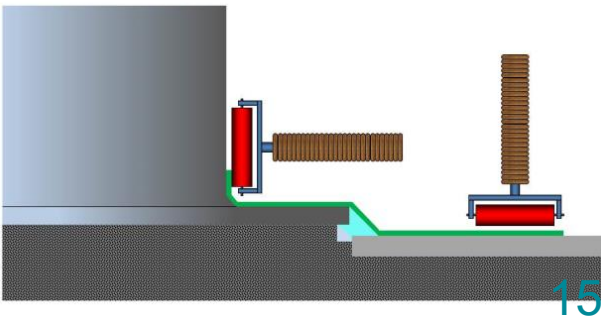


Apply 4200 Filler with the application tool and avoid air inclusions. A putty knife can be used to create a 45° angle between the concrete and metal bottom flange.

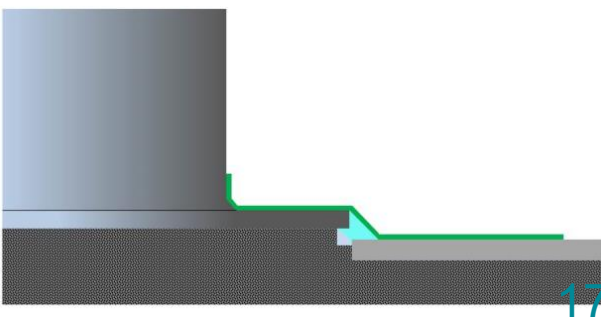




Apply Wrappingband EZ without tension and avoid air inclusions. Start on the tank wall and work towards the concrete. Dimensions according to client specifications. Check adhesion on a regular base.



Use a roller to press the Wrappingband tight onto the surface.



A topcoat should be applied immediately after application.

